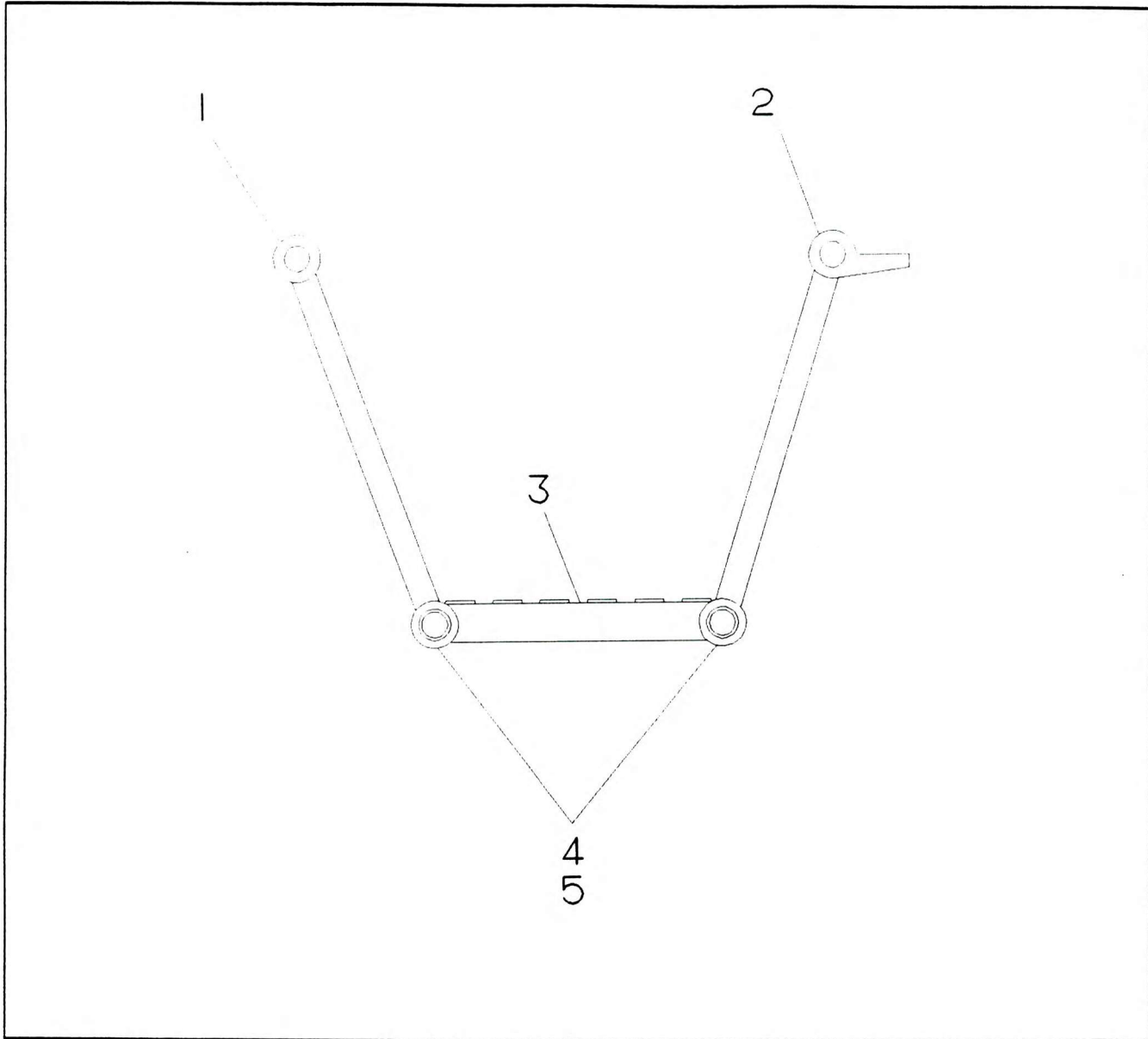


STEP - FOLDING (SUB ASSY) LH



| NO. | PART NO.     | QTY. | DESCRIPTION              | NO. | PART NO. | QTY. | DESCRIPTION |
|-----|--------------|------|--------------------------|-----|----------|------|-------------|
| 1   | 6-059-990100 | 1    | Bar Support Assy         |     |          |      |             |
| 2   | 6-059-990102 | 1    | Bar Support Assy<br>LH   |     |          |      |             |
| 3   | 6-290-990166 | 1    | Channel Weld             |     |          |      |             |
| 4   | 7066619      | 2    | Washer Plain 20m<br>Dia. |     |          |      |             |
| 5   | 7072035      | 2    | Pin Split 3 x 40         |     |          |      |             |

6-850-990135  
Issue No. 00